

030-7342-0

4

3

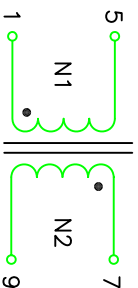
2

1

- NOTES:
1. ALL DIMENSIONS ARE IN MM, GENERAL TOLERANCE IS 0.20MM;
  2. ALL PINS LENGTH DON'T COUNT TIN ICICLES;
  3. ELECTRICAL CHARACTERISTICS:

UNLESS OTHERWISE SPECIFIED, TESTING IS PERFORMED AT 25°C ±5°C  
(FOR REFERENCE ONLY. USED FOR CUSTOMER INFORMATION)

ITEM	SPECIFICATION	TEST CONDITIONS	VALUE	UNIT
1	I <sub>o</sub> : @ NO LOAD	INPUT 230 V, 50HZ	MAX 13.10	mA
2	P <sub>w</sub> o: @ NO LOAD	INPUT 230 V, 50HZ	MAX 0.95	W
3	U <sub>o</sub> : @ NO LOAD	INPUT 230 V, 50HZ	18.60±10%	V
4	I: @ CURRENT WITH LOAD	INPUT 230 V, 50HZ	MAX 25.25	mA
5	P <sub>w</sub> e: @ WATTAGE WITH LOAD	INPUT 230 V, 50HZ	MAX 6.15	W
6	U <sub>o</sub> : @ NOMINAL LOAD	INPUT 230 V, 50HZ AT LOAD 192 mA	12.0	V
7	HI-POT: (1,5) TO (7,9)	/	4000VAC, 2 SEC	
8	RATED OUTPUT POWER	/	2.3	VA



SCHEMATIC

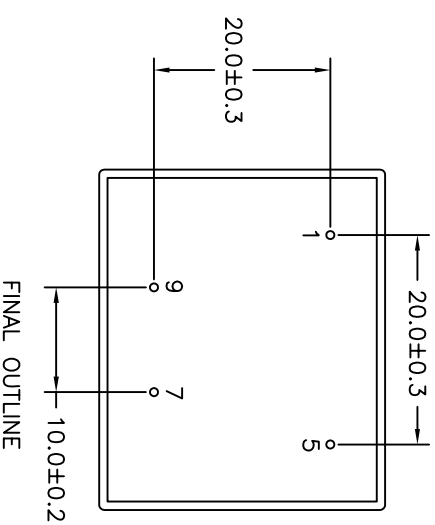
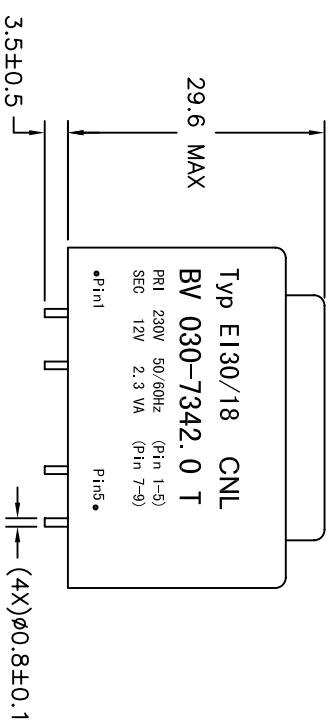
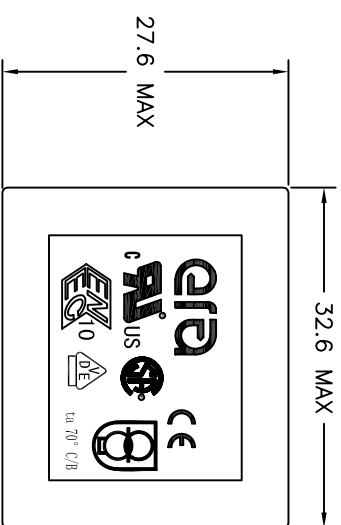
4

3

2

1

1 OF 1



FINAL OUTLINE

A

B

C

D

A

B

C

D