

030-7329-0

4

3

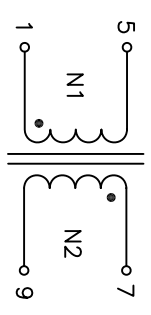
2

1

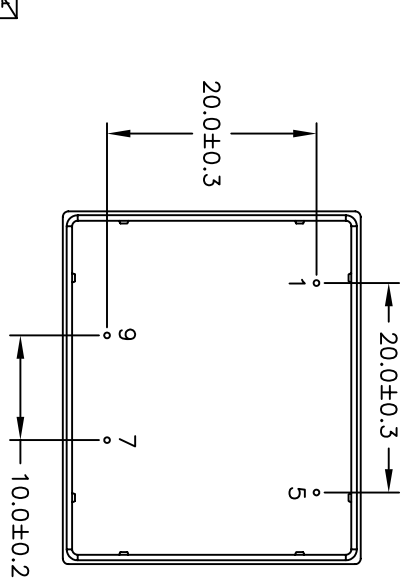
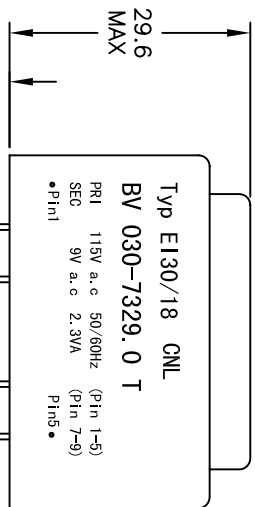
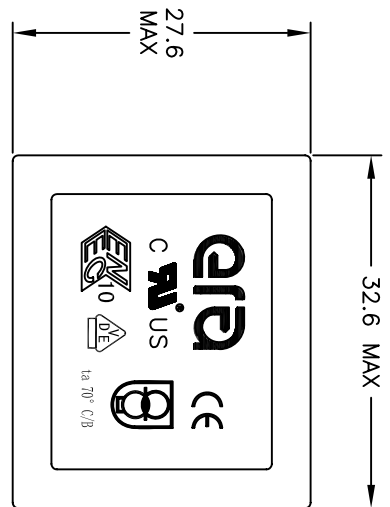
- NOTES:
1. ALL DIMENSIONS ARE IN MM.
  2. ELECTRICAL CHARACTERISTICS: UNLESS OTHERWISE SPECIFIED, TESTING IS PERFORMED AT 25°C ±5°C (FOR REFERENCE ONLY. USED FOR CUSTOMER INFORMATION)

ITEM	SPECIFICATION	TEST CONDITIONS	VALUE	UNIT
1	I <sub>o</sub> : @ NO LOAD	INPUT 115 V, 50HZ	MAX 25.00	mA
2	P <sub>w</sub> o: @ NO LOAD	INPUT 115 V, 50HZ	MAX 0.95	W
3	U <sub>o</sub> : @ NO LOAD	INPUT 115 V, 50HZ	13.80±10%	V
4	I <sub>e</sub> :@ CURRENT WITH LOAD	INPUT 115 V, 50HZ	MAX 54.60	mA
5	P <sub>w</sub> e:@WATTAGE WITH LOAD	INPUT 115 V, 50HZ	MAX 6.80	W
6	U <sub>o</sub> : @ NOMINAL LOAD	INPUT 115 V, 50HZ AT LOAD 256 mA	9.00	V
7	HI-POT: (1,5) TO (7,9)	/	4000VAC, 2 SEC	
8	RATED UOTPUT POWER	/	2.3	VA

- MECHANICAL SPEC NOTES:
1. ALL DIMENSIONS ARE IN MM.GENERAL TOLERANCE IS 0.20 MM.
  2. ALL PIN LENGTH DON'T INCLUDE TIN ICICLE.



SCHEMATIC



UNLESS OTHERWISE SPECIFIED, ALL DIMENSIONS ARE IN INCHES  
 DECIMALS  
 .XX ±.01  
 .XXX ±.005  
 ANGLE ± 1°  
 DO NOT SCALE DRAWING

SIZE	GAGE CODE	DWG. NO.	SHEET	REV
B01961	NONE	030-7329-0	1 OF 1	15

4

3

2

1

120072004