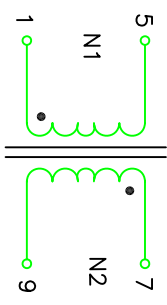


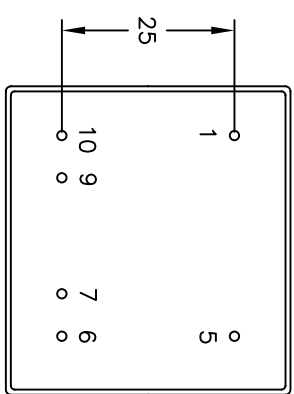
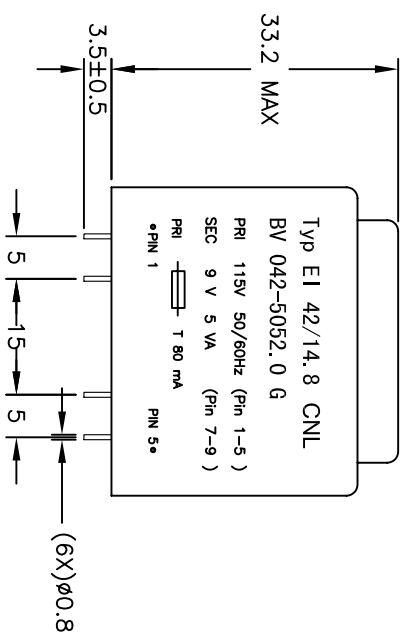
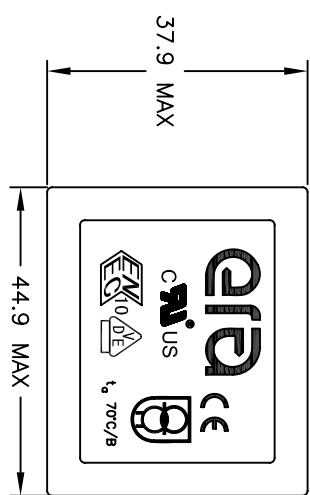
NOTES:  
 ELECTRICAL CHARACTERISTICS:  
 UNLESS OTHERWISE SPECIFIED, TESTING IS PERFORMED AT 25°C ±5°C  
 (FOR REFERENCE ONLY. USED FOR CUSTOMER INFORMATION)

ITEM	SPECIFICATION	TEST CONDITIONS	VALUE	UNIT
1	Io: @ NO LOAD	INPUT 115 V, 50HZ	76.13 MAX	mA
2	Pwo: @ NO LOAD	INPUT 115 V, 50HZ	1.97 MAX	W
3	Uo: @ NO LOAD	INPUT 115 V, 50HZ	12.0 ±5%	V
4	Ie:@CURRENT WITH LOAD	INPUT 115 V, 50HZ	106.47 MAX	mA
5	Pwe:@WATTAGE WITH LOAD	INPUT 115 V, 50HZ	11.34 MAX	W
6	Ua: @ NOMINAL LOAD	INPUT 115 V, 50HZ AT LOAD 556 mA	9	V
7	HI-POT: (1,5) TO (7,9)	/	4000VAC, 2 SEC	

MECHANICAL SPEC NOTES:  
 1. ALL DIMENSIONS ARE IN MM,GENERAL TOLERANCE IS ±0.20MM  
 2. ALL PIN LENGTH DON'T INCLUDE TIN ICICLE.



SCHEMATIC



BOTTOM VIEW  
 FINAL OUTLINE

DWG. NO. 042-5052-0

REV. 13

SHEET 1 OF 1